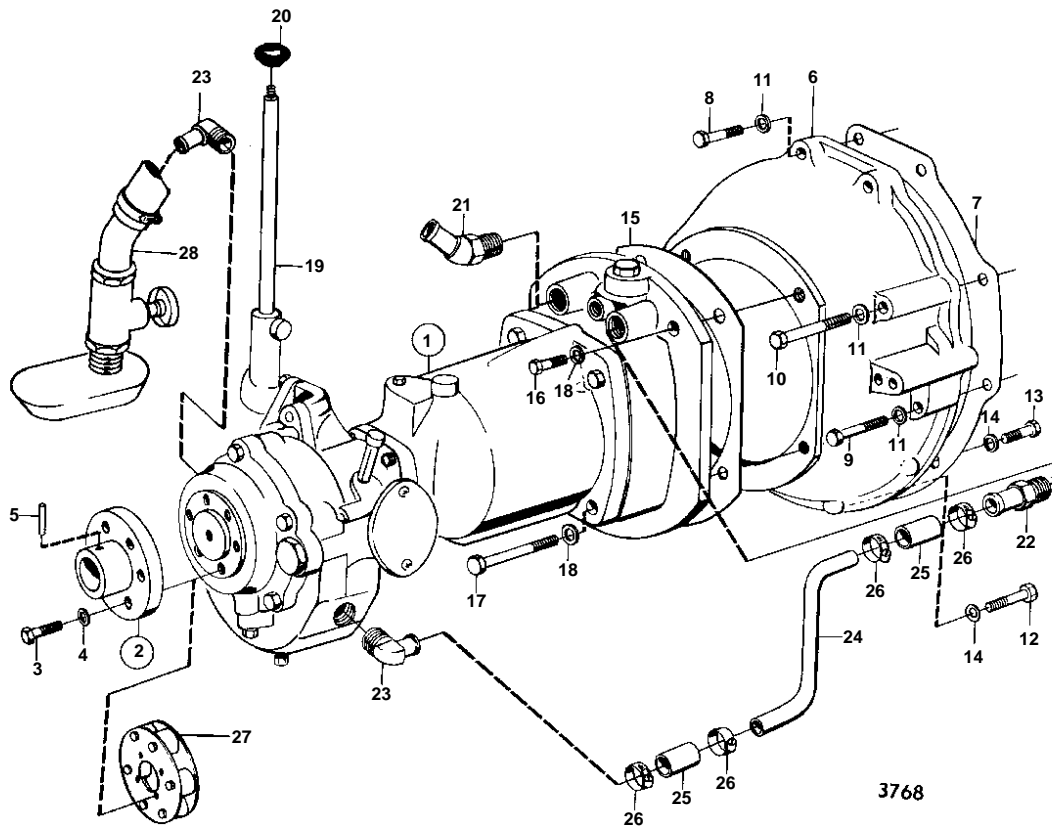


BB115A, BB115B, BB115C, MB20A, MB20B, MB20C



BB115A, BB115B, BB115C, MB20A, MB20B, MB20C

REF	PART NO.	QTY	DESCRIPTION	NOTES
1		1		
			· COMPONENTS	SEE GROUP 4B
2		1	Clutch half	DRILLED 35MM.
3		6	· Hexagon screw	
4	942336	6	· Spring washer	
5	907599	1	· Taper pin	
6		1	Flywheel housing	
7		1	Gasket	
8	940160	2	Hexagon screw	L = 38 MM
	955342	2	Hexagon screw	L = 40 MM
9	955550	1	Hexagon screw	L = 51 MM
	955344	1	Hexagon screw	L = 50 MM
10		1	Hexagon screw	L = 95 MM
	955352	1	Hexagon screw	L = 100 MM
11	941909	4	Spring washer	I.D = 11,5 MM
	940280	4	Spring washer	I.D = 13,5 MM
12	955525	1	Hexagon screw	L = 25 MM
13	940186	2	Hexagon screw	L = 38 MM
14	941907	3	Spring washer	
15	802696	1	Gasket	
16	955535	2	Hexagon screw	L = 32 MM
17	955540	2	Hexagon screw	L = 70 MM
18	942336	4	Spring washer	
19		1	Control lever	
20		1	Handle	
21	804429	1	Hose attachment	SEE GROUP 2B
22	804426	1	Hose attachment	MO-XXXX/59517
		1	Hose attachment	MOXXXX/59518-
23		2	Hose attachment	
24		1	Tube	
25	943368	X	Rubber hose	L = 50 MM
26	943472	4	Hose clamp	(951788)
27	819153	1	Rubber coupling	SEE GROUP 9
28		1	COOLING WATER INTAKE	SEE GROUP 9